



**TRINITY  
AUDIO SOLUTIONS**

**TAS-M10  
TAS-M12  
TAS-M15  
TAS-M18**

**SUBWOOFER MANUAL**

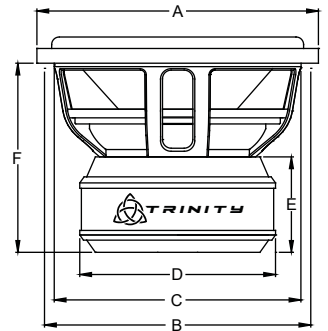
# TRINITY

## TAS M SUBWOOFERS

### SPECIFICATIONS

- Cast aluminum high excursion basket with optimized air flow design.
- Triple stacked high density ferrite magnets.
- FEA enhanced motor structure.
- CF tech (Cooling Flow) flared vent backplate for increased heat dissipation.
- Rigid composite paper cones with increased stability.
- Soft compliance triple layer stretch foam surround.
- 10" Quad layer progressive roll spider pack. (8.6" on M10)
- 3" BASV high temperature dual voice coil.

MODEL	A	B	C	D	E	F
	Inch / MM	Inch / MM	Inch / MM	Inch / MM	Inch / MM	Inch / MM
<b>TAS-M10D</b>	10.83 / 275	10 / 255	9.25 / 235	9.05 / 230	5.11 / 130	4.33 / 110
<b>TAS-M12</b>	12.8 / 325	11.93 / 303	11.22 / 285	9.05 / 230	5.11 / 130	8.58 / 218
<b>TAS-M15</b>	15.5 / 395	14.76 / 375	13.78 / 350	9.05 / 230	5.11 / 130	9.37 / 238
<b>TAS-M18</b>	18.43 / 468	17.4 / 442	16.77 / 426	9.05 / 230	5.11 / 130	11.22 / 285



Enclosure type	SUGGESTED ENCLOSURES		
	Sealed	Ported	4th order
<b>TAS-M10D1</b>	22.7 L / .8 cu.ft Qtc 0.413	40 L / 1.43 cu.ft P.A. 12.2 sq.in L:17" FB:35 Hz	2.5 : 1 Ratio
<b>TAS-M10D2</b>	22.7 L / .8 cu.ft Qtc 0.364	40 L / 1.43 cu.ft P.A. 12.2 sq.in L:17" FB:35 Hz	2.5 : 1 Ratio
<b>TAS-M12D1</b>	30 L / 1.06 cu.ft Qtc 0.411	60 L / 2.12 cu.ft P.A. 18.6 sq.in L:21" FB:32 Hz	2.5 : 1 Ratio
<b>TAS-M12D2</b>	30 L / 1.06 cu.ft Qtc 0.392	60 L / 2.12 cu.ft P.A. 18.6 sq.in L:21" FB:32 Hz	2.5 : 1 Ratio
<b>TAS-M15D1</b>	50 L / 1.77 cu.ft Qtc 0.475	90 L / 3.18 cu.ft P.A. 25.2 sq.in L:20.2" FB:30 Hz	2.5 : 1 Ratio
<b>TAS-M15D2</b>	50 L / 1.77 cu.ft Qtc 0.434	90 L / 3.18 cu.ft P.A. 25.2 sq.in L:20.2" FB:30 Hz	2.5 : 1 Ratio
<b>TAS-M18D1</b>	85 L / 3 cu.ft Otc 0.534	170 L / 6 cu.ft P.A. 50 sq.in L:23" FB:28 Hz	2.5 : 1 Ratio
<b>TAS-M18D2</b>	85 L / 3 cu.ft Otc 0.522	170 L / 6 cu.ft P.A. 50 sq.in L:23" FB:28 Hz	2.5 : 1 Ratio

Model:	TAS-M10D1	TAS-M10D2	TAS-M12D1	TAS-M12D2	TAS-M15D1	TAS-M15D2	TAS-M18D1	TAS-M18D2
Sensitivity:	87.6 dB	84.7 dB	90.1 dB	86.3 dB	92.3 dB	89.4 dB	89.4	89.4
Nominal Impedance:	Dual 1 Ω	Dual 2 Ω	Dual 1 Ω	Dual 2 Ω	Dual 1 Ω	Dual 2 Ω	Dual 2 Ω	Dual 2 Ω
DC Resistance (DC):	1.9 Ω	3.8 Ω	1.9 Ω	3.8 Ω	1.9 Ω	3.8 Ω	1.9 Ω	3.8 Ω
Voice Coil Dim:	3"	3"	3"	3"	3"	3"	3"	3"
Power Handling*:	2000 Watts	2000 Watts	2000 Watts	2000 Watts	2000 Watts	2000 Watts	2000 Watts	2000 Watts
Peak Dynamic Power:	6000 watts	6000 watts	6000 watts	6000 watts	6000 watts	6000 watts	6000 watts	6000 watts
XMAX one way:	1"	1"	1"	1"	1"	1"	1"	1"
XMECH one way:	1.5"	1.5"	1.5"	1.5"	1.5"	1.5"	1.5"	1.5"
VAS:	8.2 L	9 L	19.8 L	19.5 L	50.4 L	48.4 L	129.6 L	157.9 L
FS:	36.9 Hz	33.6 Hz	31.7 Hz	29 Hz	28.3 Hz	27.2 Hz	24.2 Hz	22.9 Hz
QES:	0.45	0.38	0.41	0.37	0.45	0.4	0.47	0.42
QMS:	6.67	6.87	6.15	6.16	6.13	6.44	6.11	6.79
QTS:	0.42	0.36	0.38	0.35	0.42	0.38	0.436	0.4
Motor assembly:	650 Oz	650 Oz	650 Oz	650 Oz	650 Oz	650 Oz	650 Oz	650 Oz
Displacement:	0.17 cu.ft	0.17 cu.ft	0.25 cu.ft	0.25 cu.ft	0.36 cu.ft	0.36 cu.ft	0.52 cu.ft	0.52 cu.ft